



JOB NAME:	CONTRACTOR:
JOB LOCATION:	APPROVAL:
ENGINEER:	CONTRACTOR P.O.:
APPROVAL:	REPRESENTATIVE:

8E867-0*

700076 NSF CERTIFIED DIRECT MOUNT, 2-WAY STAINLESS STEEL, FULL PORT BALL VALVE W/ VBO10 ELECTRIC ACTUATOR

SIZES 1/4" TO 1-1/4"

*002 24V AC/DC	*003 100-240V AC
----------------	------------------

SPECIFICATIONS

The "Mini" 8E867 series is ideally suited for applications where space and reliability is a must. This compact unit features a hardened, dent-resistant polymer electric motor and an 30" pigtail wire for quick hook-up, in either 2-point or 3-point control mode.

The IP65 housing is resistant to dusty environments and to areas where water may be sprayed. This series, due to its lightweight design, can be installed in either vertical or horizontal position. When the valve is in the open position, an LED light will come on to sign "OPEN"

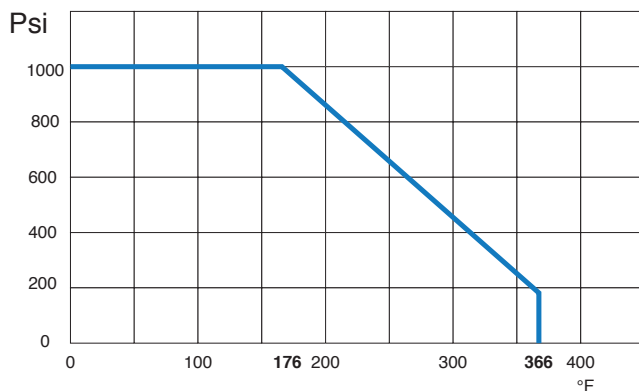
ACTUATOR FEATURES

- 24V AC/DC & 100-240V AC Models Available.
- 120V AC - 75% Duty Cycle w/ 8 sec. cycle time.
- 24V AC/DC - 50% Duty Cycle w/ 6.5 sec. cycle time
- High-Strength, Impact Resistant IP65 Technopolymer Housing.
- One auxiliary SPDT contact on closed.
- Temperature Range 23°F to 131°F
- ISO 5211, F03/F05 base w/ 11mm female drive.
- Anti-condensation heater
- Quiet operation w/ LED light in open position.
- Output Torque 89 in/Lbs.
- 30" pigtail for quick installation
- Absorbed current for 120V AC is 4A
- Absorbed current for 24V AC/DC is 6A

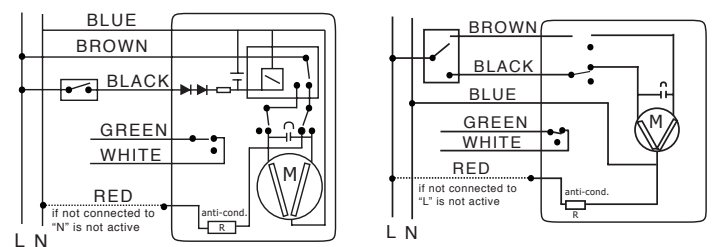
VALVE FEATURES

- CF8M Stainless Steel
- Full Port, Sizes 1/4" to 3"
- ISO 5211 pad
- NSF 61, 372 certified
- Pressure rating to 1000 psi, 150 psi steam
- Temperature -4°F to 366°F
- Blow out proof stem
- P.T.F.E. seats with O-ring backing for low operating torque
- P.T.F.E. seals and Double O-ring stem seal design for extended cycle life
- 100% electronically tested in the open and closed position @ 80 Psi
- Thermal Relief Protection

PRESSURE TEMPERATURE CHART FOR 700076



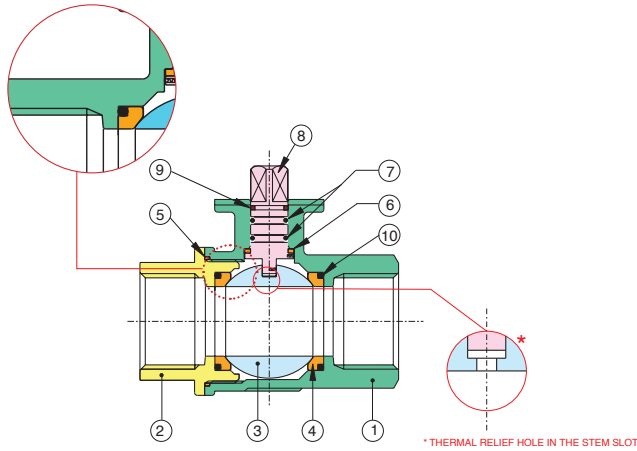
WIRING MODES



2-Point Control Mode

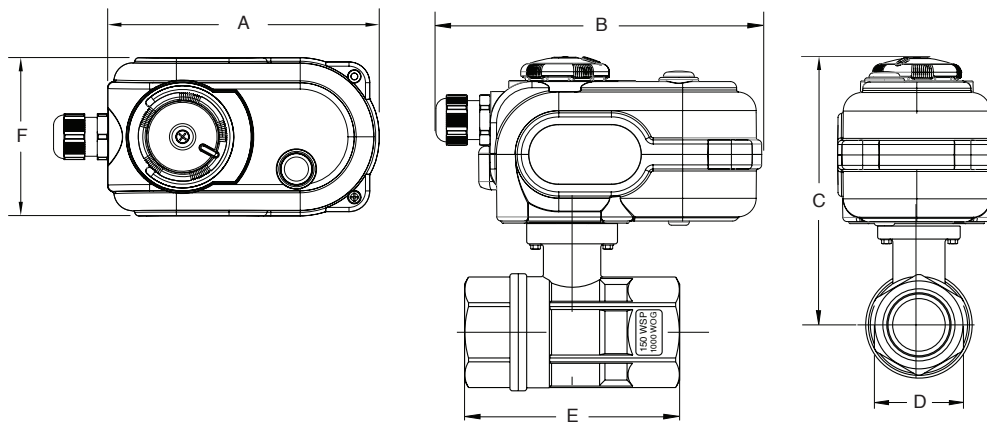
3-Point Control Mode

BILL OF MATERIALS FOR 700076



N POS	PART NAME	MATERIAL	N PCS
1	BODY	CF8M	1
2	END CONNECTION	CF8M	1
3	BALL	AISI 316 - CF8M	1
4	BALL SEAT	P.T.F.E.	2
5	SEAL	P.T.F.E.	1
6	STEM SEAL	P.T.F.E.	1
7	O-RING	FKM (Viton®)	2
8	STEM	AISI 316	1
9	STEM SEAL	P.T.F.E.	1
10	O-RING	FKM (Viton®)	2

DIMENSIONS



SIZE	A	B	C	D	E	F	ACT.
1/4"	5.11	6.16	4.67	1.44	2.56	2.99	VB010
3/8"	5.11	6.16	4.67	1.44	2.56	2.99	VB010
1/2"	5.11	6.16	4.43	1.35	2.63	2.99	VB010
3/4"	5.11	6.16	4.51	1.65	3.07	2.99	VB010
1"	5.11	6.16	4.90	2.02	3.54	2.99	VB010
1-1/4"	5.11	6.16	5.04	2.53	3.93	2.99	VB010